

JVC

ACCESSORY KIT

ZUBEHÖR-SET

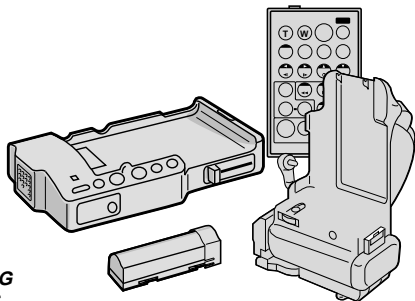
KIT D'ACCESSOIRES

ACCESSOIRE-KIT

JUEGO DE ACCESORIOS

KIT DI ACCESSORI

CU-V70KIT E



INSTRUCTIONS
BEDIENUNGSANLEITUNG
MANUEL D'INSTRUCTIONS
GEBRUIKSAANWIJZING
MANUAL DE INSTRUCCIONES
MANUALE DI ISTRUZIONI

ENGLISH

DEUTSCH

FRANÇAIS

NEDERLANDS

CASTELLANO

ITALIANO

LYT0002-0D8A

Dear Customer,

Thank you for purchasing this Accessory KIT. Before use, please read the safety information and precautions contained in the following pages to ensure safe use of your new Accessory KIT.

Using This Instruction Manual

- All major sections and subsections are listed in the Table Of Contents (☞ pg. 9).
- Notes appear after most subsections. Be sure to read these as well.

It is recommended that you . . .

- read thoroughly the Safety Precautions that follow and cautions (☞ pgs. 6, 7). They contain extremely important information regarding the safe use of your new Accessory Kit.

SAFETY PRECAUTIONS

WARNING:
**TO PREVENT FIRE OR
SHOCK HAZARD, DO NOT
EXPOSE THIS UNIT TO RAIN
OR MOISTURE.**

CAUTION:

- To prevent shock, do not open the cabinet. No user serviceable parts inside. Refer servicing to qualified personnel.

Warning on lithium cell battery

The battery used in this device may present a fire or chemical burn hazard if mistreated. Do not recharge, disassemble, heat above 100°C or incinerate.

Replace battery with Panasonic (Matsushita Electric), Sanyo or Maxell CR2025; use of another battery may present a risk of fire or explosion.

- Dispose of used battery promptly.
- Keep away from children.
- Do not disassemble and do not dispose of in fire.

CAUTION (applies to the Docking Station):

TO REDUCE THE RISK OF FIRE, DO NOT REMOVE COVER (OR BACK). NO USER-SERVICEABLE PARTS INSIDE. REFER SERVICING TO QUALIFIED SERVICE PERSONNEL.

NOTE:

- *The rating plate (serial number plate) of the Docking Station is on its bottom.*

This unit is produced to comply with Standard IEC Publ. 65.

CAUTION! Attaching the camcorder to the Docking Station, connecting cables (AUDIO/VIDEO, S-VIDEO, Editing, DC) and leaving the unit on top of the TV is not recommended, as tripping on the cables will cause the camcorder to fall, resulting in damage.

About Batteries

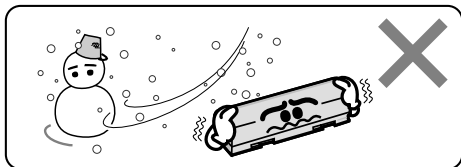
DANGER! Do not attempt to take the batteries apart, or expose them to flame or excessive heat, as there is a risk of fire or explosion.

WARNING! Do not allow the battery terminals, or the battery itself, to come in contact with metals, as this can result in a short circuit and possibly start a fire.

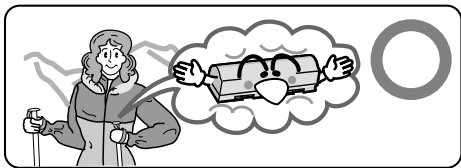
- When transporting, make sure the provided battery cap is attached to the battery. If you misplace the battery cap, carry the battery in a plastic bag.

The Benefits Of Lithium-Ion Batteries

Lithium-ion batteries are small yet have a large power capacity. However, if exposed to extreme cold (below 10°C), the effective operational time decreases significantly. Exposure to temperatures below 0°C will render the battery inoperative. If you are planning to shoot in an environment at these temperatures, carry the battery in a pocket to keep it warm, then attach it just prior to recording. The provided power grip is also recommended. It holds two batteries, and keeps them sufficiently warm even at an outside temperature of 0°C.



Lithium-ion is vulnerable in colder temperatures.



Keep the battery in a pocket when not in use, or use the provided power grip.

CAUTIONS

BEFORE USE

- To avoid malfunctions, short circuits, battery leakage, excessive heat and possibly fire . . .
 - **DO NOT** allow the DC Plug to come in contact with metal objects or surfaces.
 - **DO NOT** use the Power Grip with any appliance other than the GR-DVJ70.
 - **DO NOT** attempt to modify the case in any way.
 - **DO NOT** dispose of the case in excessive heat or fire with the BN-V714U Battery Packs inside.
 - **DO NOT** store the Power Grip in direct sunlight or near a radiator or other heat-generating appliance (where the temperature is above 80°C).
 - **DO NOT** attempt to use the Power Grip if it or the BN-V714U Battery Packs become wet.

DURING USE

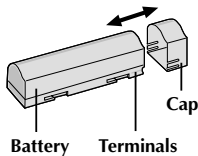
- Make sure to remove the battery cap.
- The battery may become warm after charging or after use. This is normal.
- When attaching the Power Grip to the GR-DVJ70, make sure the attachment screws are securely tightened.

WHEN NOT IN USE

- Store the Power Grip in a dry, climatically stable environment.
- Detach the Power Grip from the GR-DVJ70 and remove the battery from the case before storing. Replace the GR-DVJ70's connector cover.

Battery Packs

The BN-V714U Battery Pack is a lithium-ion battery. Before using the battery pack, be sure to read the following cautions:



1. To avoid hazard . . .

- **do not** burn.
- **do not** short-circuit the terminals.
- **do not** modify or disassemble.
- use only specified chargers.

2. To prevent damage and prolong service life . . .

- **do not** subject to unnecessary shock.
- charge in an environment where temperatures are within the tolerances shown in the chart below. This is a chemical reaction type battery—cooler temperatures impede chemical reaction, while warmer temperatures can prevent complete charging.
- store in a cool, dry place. Extended exposure to high temperatures will increase natural discharge and shorten service life.
- avoid prolonged uncharged storage.
- remove from charger or powered unit when not in use, as some machines use current even when switched off.

3. To prevent damage to the camcorder . . .

- replace the battery pack when it begins to deliver less recording time per charge.

NOTES:

- *Recharging time is based on room temperature of 20°C.*
- *The lower the temperature, the longer recharging takes.*
- *It is normal for the battery pack to be warm after charging, or after use.*

Temperature Ranges

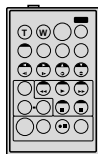
Charging 10°C to 35°C

Operation 0°C to 40°C

Storage -10°C to 30°C

PROVIDED ACCESSORIES

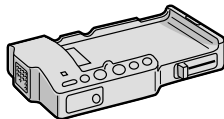
Remote control unit
RM-V708U or RM-V710U



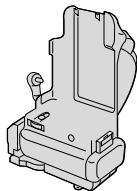
Lithium battery CR2025
(for remote control)



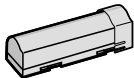
Docking Station



Power Grip CU-V778U



Battery pack
BN-V714U



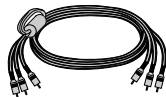
S-VIDEO cable



Editing cable



AUDIO and VIDEO cable
(Phono Docking Station TV or VCR)



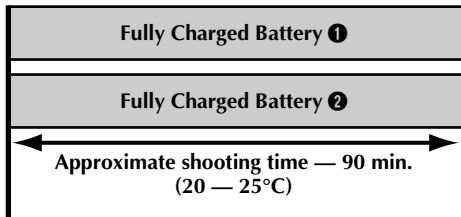
CONTENTS

<i>SAFE PRECAUTIONS</i>	<i>2</i>
<i>PROVIDED ACCESSORIES</i>	<i>8</i>
<i>ABOUT THE POWER GRIP</i>	<i>10</i>
<i>Install Batteries</i>	<i>11</i>
<i>Attach The Power Grip To The Camcorder</i>	<i>12</i>
<i>Adjust The Grip Band</i>	<i>13</i>
<i>Record A Scene</i>	<i>14</i>
<i>Tripod A Mounting</i>	<i>15</i>
<i>Attaching A Microphone</i>	<i>16</i>
<i>Specifications</i>	<i>17</i>
<i>ABOUT THE REMOTE CONTROL UNIT</i>	<i>18</i>
<i>ABOUT THE DOCKING STATION</i>	<i>21</i>
<i>ABOUT THE BATTERY PACK</i>	<i>24</i>

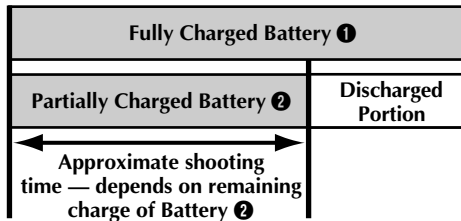
ABOUT THE POWER GRIP

The Power Grip enables extended continuous shooting, and makes shooting possible even at 0°C. Lithium Ion batteries are vulnerable in the colder temperatures of winter. Their effectiveness is drastically reduced at temperatures below 10°C, and they will normally not function when the temperature is below 0°C. In such an environment, use the Power Grip.

When using fully charged batteries . . .

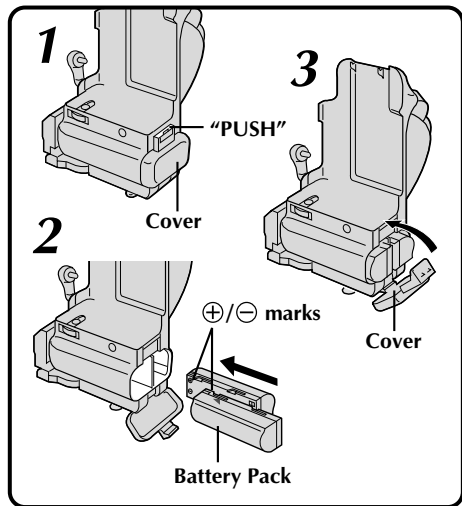


When using unevenly charged batteries . .



Install Batteries

Always use two battery packs. The case will not function if only one battery pack is installed.



1 Press down "PUSH" and open the cover in the direction of the arrow.

2 Insert two fully charged Battery Packs.

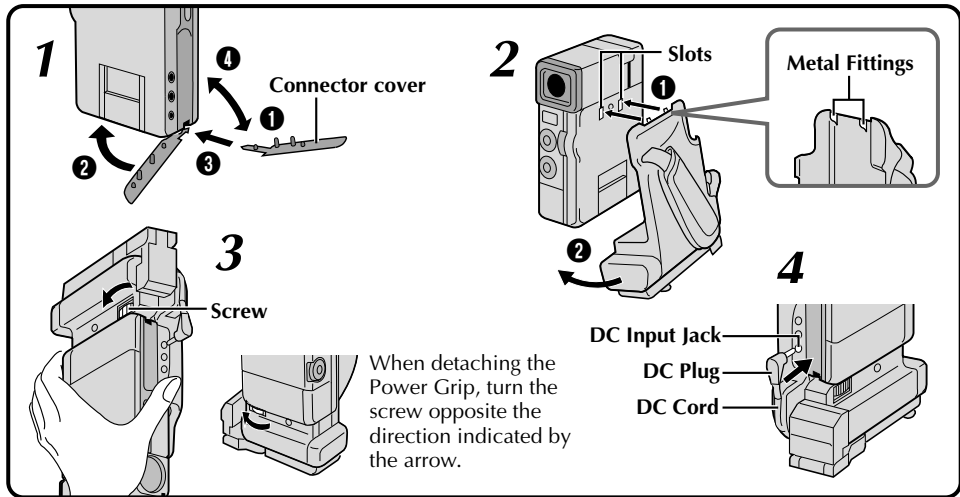
- Make sure the ⊕/⊖ marks on the batteries are facing each other.
- If two unevenly charged battery packs are used, the case will stop functioning as soon as the weaker of the two battery packs run down.

3 Close the cover.

ABOUT THE POWER GRIP (Cont.)

Attach The Power Grip To The Camcorder

Always use two battery packs. The case will not function if only one battery pack is installed.



1 Remove the camcorder's connector cover as indicated by **1**, **2**.

- In **2**, rotate the cover in the direction indicated by the arrow, then remove it.
- After use, follow **3**, **4** to re-attach the cover.

2 Insert the tips of the metal fittings on the Power Grip deep into the corresponding slots on the camcorder (**1**), then attach the case (**2**).

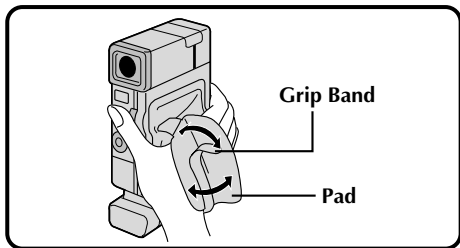
3 Turn the unit around, then turn the screw in the direction indicated by the arrow.

- Continue turning the screw until it stops.

4 Connect the DC Plug on the Power Grip to the DC Input Connector on the camcorder.

- Do not pull on the DC Cord, as this can result in malfunctions.

Adjust The Grip Band



1 Detach the pad.

2 While holding the camcorder securely, adjust the grip band on the Power Grip.

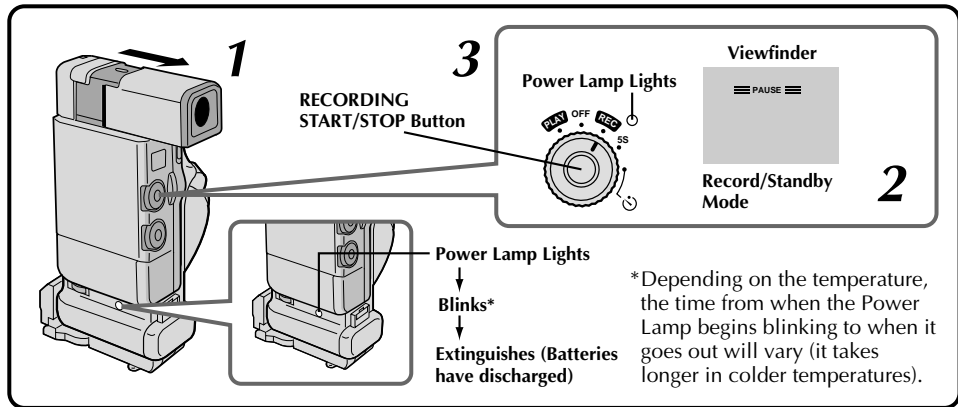
- Adjust so your thumb can easily reach the Zoom Lever and the **RECORDING START/STOP** button.

3 Re-attach the pad.

ABOUT THE POWER GRIP (Cont.)

Record A Scene


Insert a cassette and try recording.



** The camcorder's battery and the Power Grip battery packs cannot be used at the same time. If both are installed, the Power Grip battery packs become the power source. When the Power Grip Battery Packs near complete discharge (when the Power Lamp begins blinking), set the camcorder to RECORD/STANDBY mode, set the Power Dial to "OFF" and detach the Power Grip DC Cord from the camcorder. Then turn the camcorder's power back on.

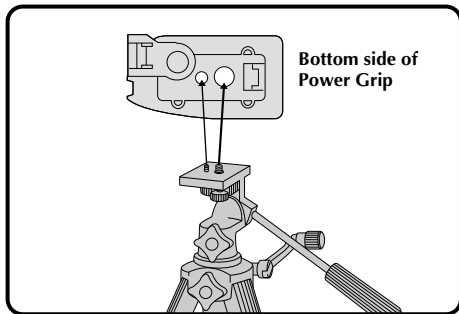
1 Pull out the viewfinder.

2 Set the Power Dial to "REC".

- The Power Lamp lights and the camcorder enters the Record/Standby mode.
- When the battery packs installed in the Power Grip become weak, the case's Power Lamp begins to blink, and the lamp goes out when the battery packs have completely discharged. Replace them with two fully charged battery packs.
- Be sure to set the Power Dial to "OFF" before installing charged battery packs.
- While the DC Plug is connected, even as the battery packs begin to run down, the Battery Indicator on the camcorder will show the battery packs to be fully charged .

3 Press RECORDING START/STOP.

Tripod Mounting



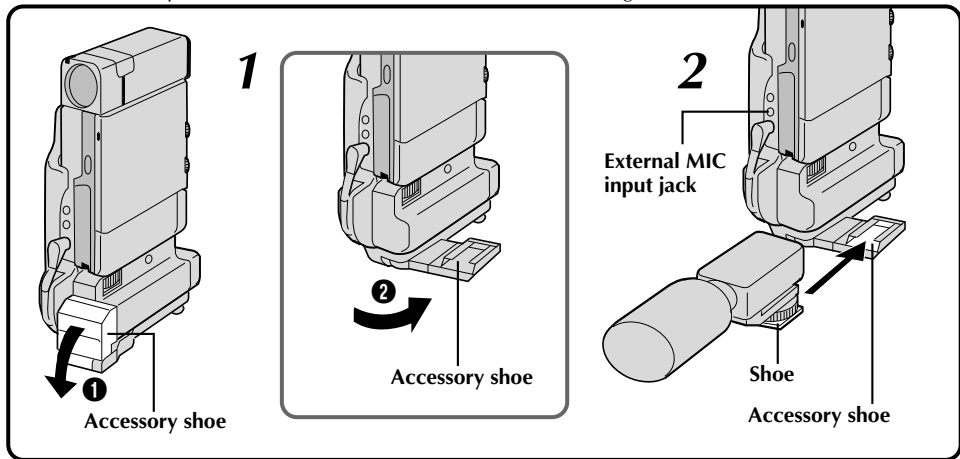
1 Align the screw and Power Grip direction stud on the tripod with the Power Grip's mounting socket and stud hole. Then tighten the screw.

- Refer to the tripod's instruction manual for details on mounting onto tripod.

ABOUT THE POWER GRIP (Cont.)

Attaching A Microphone

You can attach a stereo microphone (commercially available) to the Power Grip. The camcorder does not supply power to the microphone. Refer to the microphone's instruction manual for details on attaching.



1 Pull out the accessory shoe ❶ and turn it in the direction of the arrow ❷.

2 Insert the microphone's shoe into the accessory shoe. Then connect the microphone's $\varnothing 3.5$ mm mini-plug connector to the external MIC input jack on the camcorder.

Specifications

Operating temperature	0 — 40°C
Operating humidity	30 — 80%
Storage temperature	-20 — 50°C
Continuous shooting time at 20 — 25°C	Approx. 90 min.*
Dimensions	96 (W) x 149 (H) x 65 (D) mm
Weight	Approx. 151 g

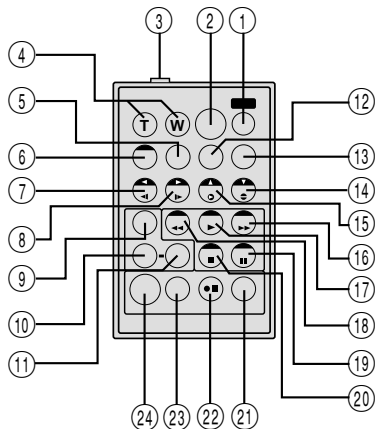
* Based on use of two fully-charged BN-V714U Battery Packs.

ABOUT THE REMOTE CONTROL UNIT

For further details, refer to your camcorder's instruction manual.

Controls, Indications And Connectors

You can use the RM-V708U or RM-V710U to control the camcorder when it's attached to the Docking Station.



- ① POWER ON/OFF Button
- ② Recording START/STOP Button
- ③ PAUSE IN connector
- ④ ZOOM Buttons
- ⑤ DISPLAY Button
- ⑥ SHIFT Button
- ⑦ SLOW Rewind Button/Left Button
- ⑧ SLOW Forward Button/Right Button
- ⑨ FADE/WIPE Button
- ⑩ EFFECT Button
- ⑪ EFFECT ON/OFF Button
- ⑫ AUDIO MONITOR Button
- ⑬ MBR SET Button
- ⑭ A.DUB Button/Down Button

- ⑮ INSERT Button/Up Button

Operation Buttons

- ⑯ FF Button
- ⑰ PLAY Button
- ⑱ REW Button
- ⑲ PAUSE Button
- ⑳ STOP Button

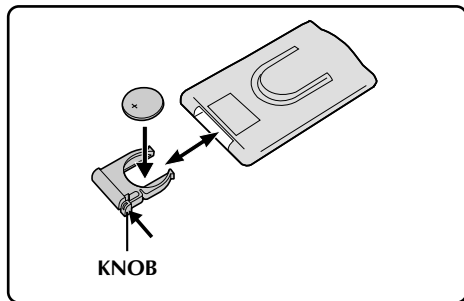
R.A. EDIT Buttons

- ㉑ ON/OFF Button
- ㉒ VCR REC STBY Button
- ㉓ CANCEL Button
- ㉔ IN/OUT Button

ABOUT THE REMOTE CONTROL UNIT (Cont.)


Installing The Battery

The RM-V708U or RM-V710U uses one lithium battery (CR2025).



- 1** Pull out in the direction of the arrow while pressing the knob as shown.
- 2** With the “+” side up, place the lithium battery (CR2025) in the holder.
- 3** Slide the holder back in until you hear a click.

Specifications

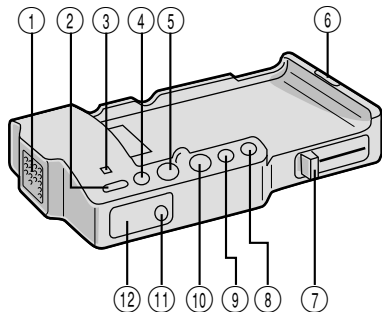
Power	: DC 3 V  (Lithium Battery CR2025)
Battery Life	: Approx. 1 year (depending on usage)
Effective distance	: Approx. 5 m (front shaft)

Operating temperature	: 0°C — 40°C
Storage temperature	: -20°C — 50°C
Dimensions	: 54 mm (W) x 86 mm (H) x 12 mm (D)
Weight	: Approx. 26 g (with battery installed)

ABOUT THE DOCKING STATION

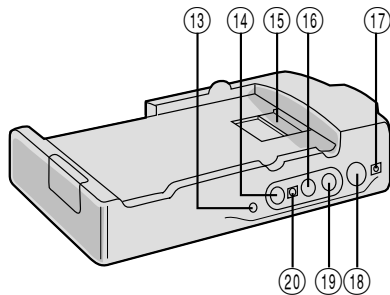
For further details, refer to your camcorder's instruction manual.

Controls, Indications And Connectors



- ① Fan
Comes on automatically when camcorder is attached; serves to cool the unit down. Take care not to interfere with the blades.
- ② EDIT Button
- ③ CHARGE Indicator
- ④ PAUSE Button
- ⑤ PLAY Button
- ⑥ RELEASE Button
- ⑦ Lock Lever
- ⑧ Fast-Forward (FF) Button
- ⑨ Rewind (REW) Button
- ⑩ STOP Button
- ⑪ EDIT Jack
- ⑫ Remote Control Sensor

ABOUT THE DOCKING STATION (Cont.)



- ⑬ JLIP Jack (Joint Level Interface Protocol)
 - It is used to connect the camcorder to a device such as a personal computer. For further detail consult your nearest JVC dealer. Information (in English) is also available at our home page: <http://www.jvc-victor.co.jp/>
- ⑭ Video Output Jack
- ⑮ Multi Jack
- ⑯ Audio Output Jack [L]
- ⑰ DC Input Jack
- ⑱ S-Video Output Jack
- ⑲ Audio Output Jack [R]
- ⑳ DC Output Jack
For future use.

Specifications

Operating temperature	: 0°C — 40°C (when charging, 10°C — 35°C)
Editing connector	: \varnothing 3.5 mm
S-Video connectors	
Y	: 1 Vp-p, 75 Ω
C	: 0.3 Vp-p, 75 Ω
Video output connector	: 1 Vp-p, 75 Ω (Pin jack)
Audio output connector	: -8dBs, 1 k Ω (Pin jack)
JLIP connector	: \varnothing 3.5 mm
Multi connector	: 34-pin
Dimensions	: 112 mm (W) x 48 mm (H) x 203 mm (D)
Weight	: Approx. 345 g

** E. & O. E. Design and specifications subject to change without notice.*

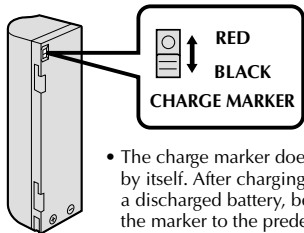
ABOUT THE BATTERY PACK

For further details, refer to your camcorder's instruction manual.

CAUTIONS:

- *This is a lithium-ion type battery pack, and is intended for use with the JVC Digital Video Camera only.*
- *Use only the AC Power Adapter/Charger designed exclusively for the Digital Video Camera. Use of another battery charger may result in incomplete charging, malfunctions and risk of fire.*
- *Do not incinerate or disassemble; may explode or release toxic chemicals.*
- *Do not short circuit; may cause burns.*
- *Lithium-ion battery packs are small yet have a large power capacity. However, if exposed to extreme cold (below 10°C/50°F), the effective operational time decreases significantly. Exposure to temperatures below 0°/32°F will render the battery inoperative. If you are planning to shoot in an environment at these temperatures, carry the battery pack in a pocket to keep it warm, then attach it just prior to recording.*
- *When transporting, make sure the provided battery cap is attached to the battery pack. If you misplace the battery cap, carry the battery pack in a plastic bag.*
- *For more details on use of battery packs, please refer to the Digital Video Camera's instruction manual.*

Charge Maker



- The charge marker does not move by itself. After charging or removing a discharged battery, be sure to set the marker to the predetermined position.

The charge marker makes it easy for you to differentiate between charged and discharged batteries. Choose RED or BLACK to mean charged or discharged, and you'll always know the status of your batteries.

Specifications

Power	: DC 3.6 V --- /1350 mAh
Dimensions	: 20 mm (W) x 20 mm (H) x 71 mm (D)
Weight	: Approx. 50 g

